



Anglesey™

Top spud flushometer bowl with integral seat
K-4388

Features

- 1½" (38 mm) top spud.
- Elongated bowl offers added room and comfort.
- 4-1/2" (114 mm) rough-in.
- Includes integral seat, angle back, and wall outlet.

Installation

- Designed for use in prisons and mental healthcare facilities.
Not anti-ligature.

Recommended Products/Accessories

- K-10957 Touchless DC 1.6 gpf toilet flushometer
- K-13516 Manual 1.6 GPF WC Flushometer

Included Components

- Additional Components:
- Bolt cap accessory pack
 - Floor Screws (pair)
 - Spud



Codes/Standards

ASME A112.19.2/CSA B45.1


**KOHLER® One-Year Limited
Warranty**

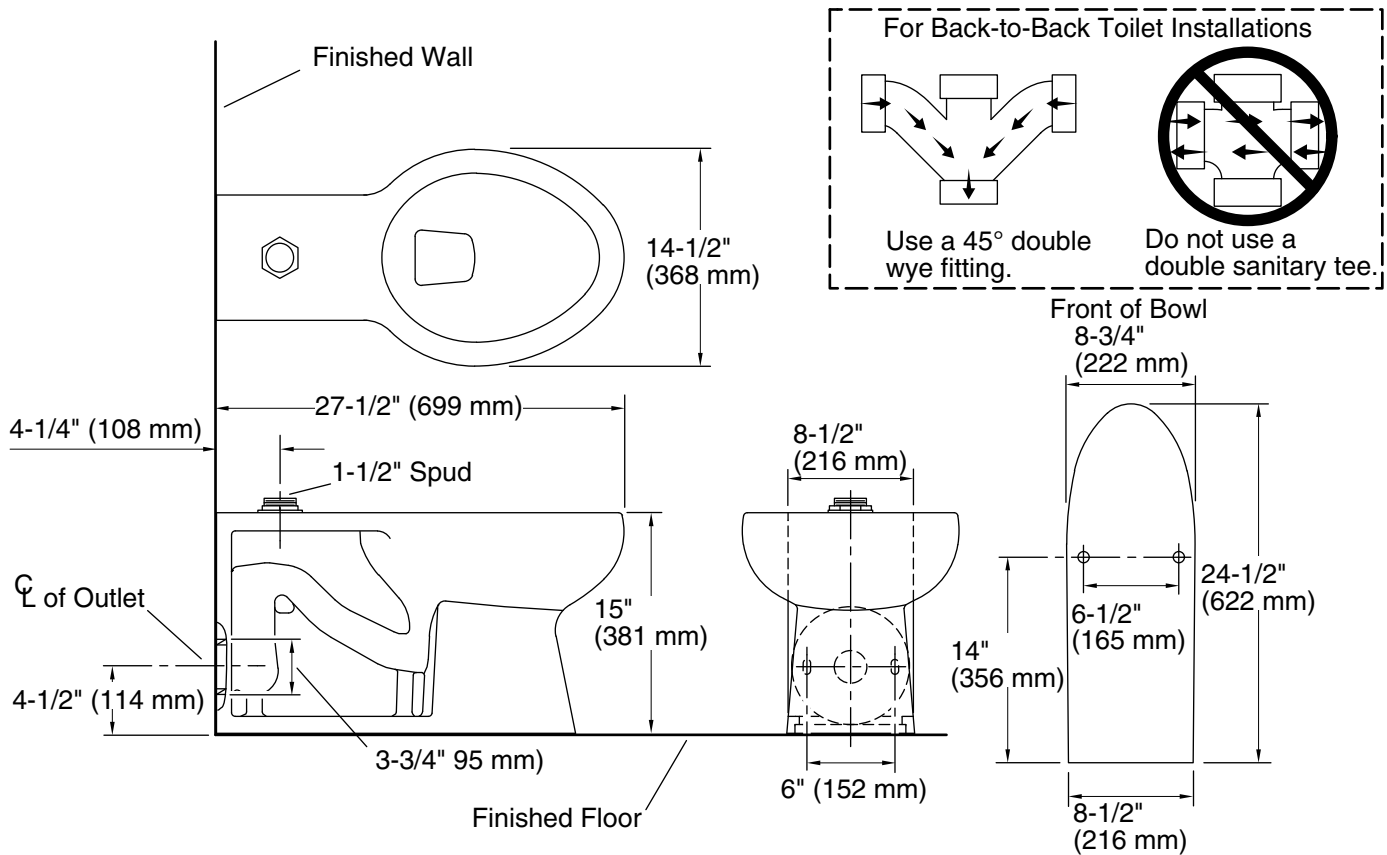
See website for detailed warranty information.

Available Colors/Finishes

Color tiles intended for reference only.

Color Code Description

| | | |
|---|---|-------|
|  | 0 | White |
|---|---|-------|



Technical Information

All product dimensions are nominal.

| | |
|-----------------------|--------------------------------|
| Toilet type: | One-piece, Floor-mount |
| Bowl shape: | Elongated |
| Spud size: | 1-1/2", Top |
| Trap passageway: | 2-1/2" (63 mm) |
| Water Consumption | |
| Full: | 1.6 gpf (6 lpf) |
| Water surface size: | 11" x 9-1/2" (279 mm x 241 mm) |
| Rim to water surface: | 5-1/4" (133 mm) |
| Rough-in: | 4-1/2" (114 mm) |
| Seat-mounting holes: | 5-1/2" (140 mm) |

Fixture Supply Requirements

| | |
|-----------------------|--------------------|
| Min static pressure: | 35 psi (241.3 kPa) |
| Max static pressure: | 80 psi (551.6 kPa) |
| Min flowing pressure: | 25 psi (172.4 kPa) |
| Min flow rate: | 25 gpm (94.6 lpm) |

Notes

Install this product according to the installation instructions.